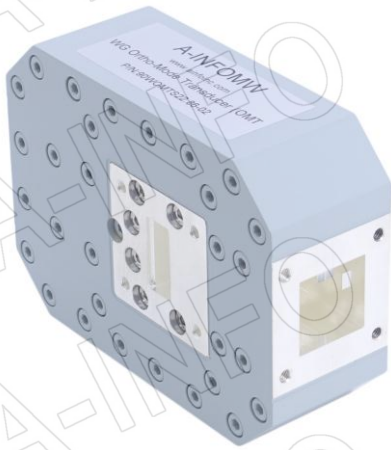


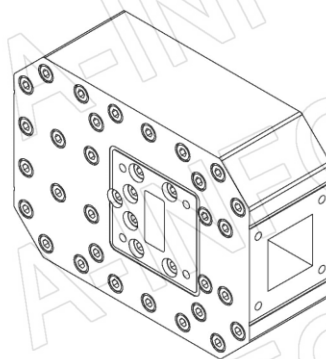
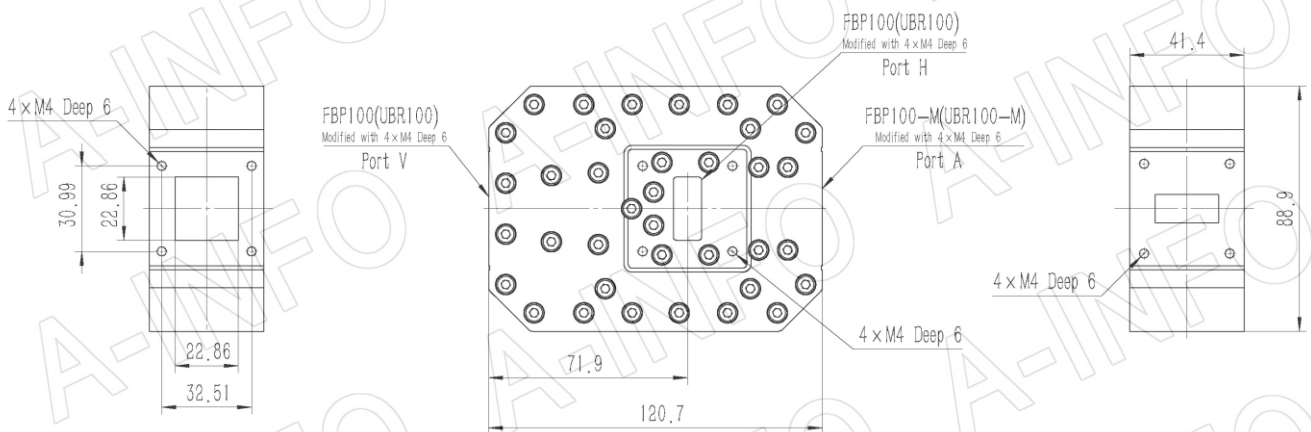
For reference only. See data sheet for the detailed specifications.

## Technical Specification

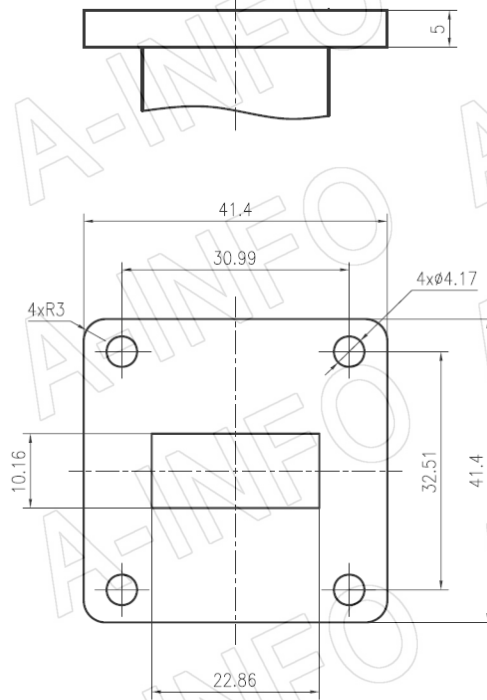


EIA WR	WR90
Frequency Range(GHz)	8.2 – 12.4
Bandwidth	Full
Common Port	22.86mm Square WG
Insertion Loss(dB)	0.35 Max.
VSWR	1.3:1 Typ.
Cross Pol. Isolation(dB)	55 Typ.; 45 Min.
Port to Port Isolation(dB)	40 Min.
Common Port Flange	FBP100-M(UBR100-M) (Modified with 4xM4 Deep 6)
Flange	FBP100(UBR100) (Modified with 4xM4 Deep 6)
Material	Al
Size(mm)	120.7 x 41.4 x 88.9
Net Weight(Kg)	1.05 Around

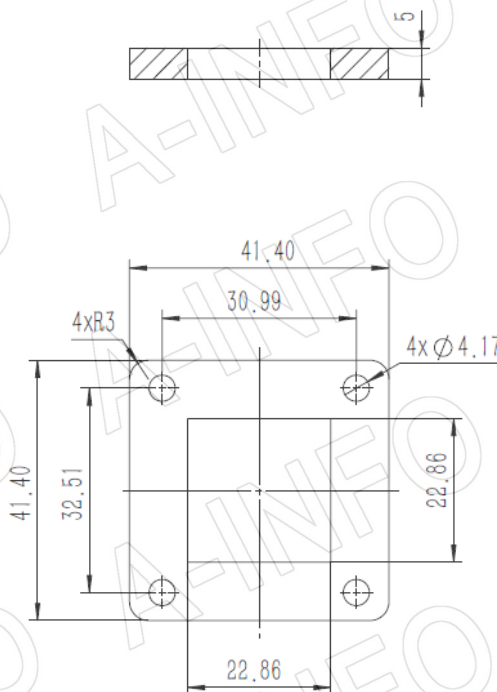
## Outline Drawing (Size: mm)



## Flange Drawing (Size: mm)



FBP100



FBP100-M

**AINFO Inc.**

China(Beijing): Tel: (+86) 10-6266-7326,  
 China(Chengdu): Tel: (+86) 28-8519-2786,  
 USA: Tel: (+1) 949-639-9688,

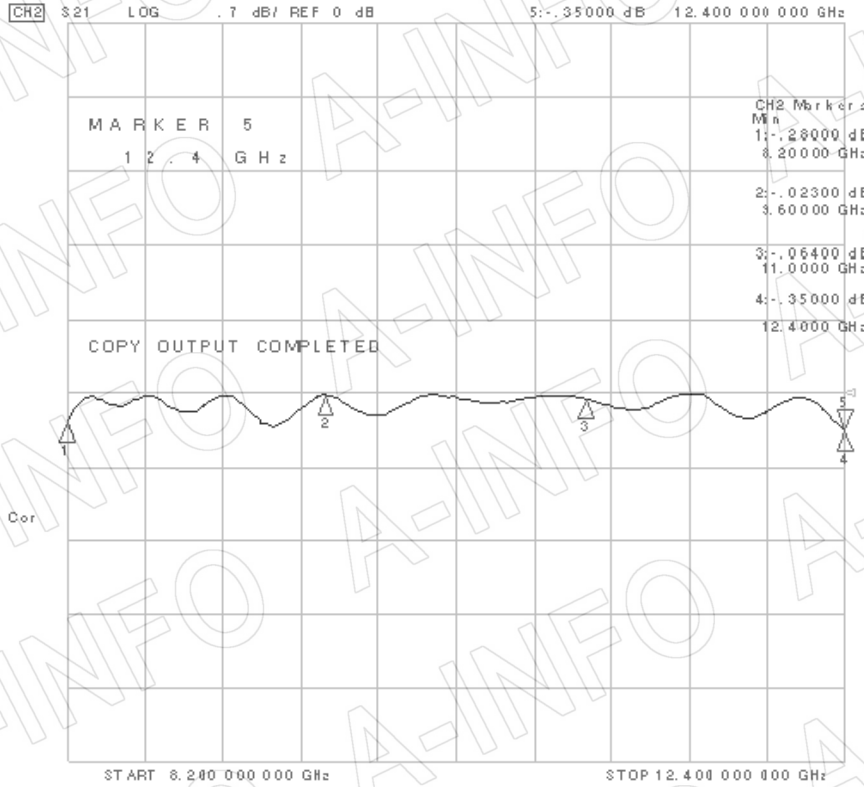
Page 2 of 5

(+86) 10-6266-7327 Fax: (+86) 10-6266-7379  
 (+86) 28-8519-3044 Fax: (+86) 28-8519-3068  
 (+1) 949-639-9608 Fax: (+1) 949-639-9670

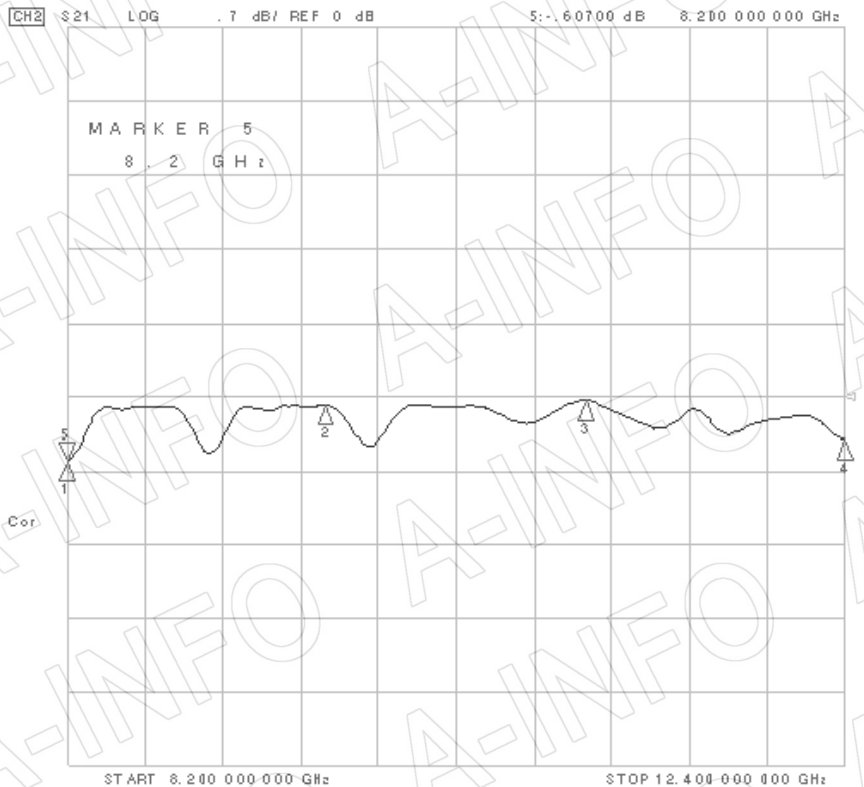
Website: [www.ainfoinc.com](http://www.ainfoinc.com)  
 Email: [sales@ainfoinc.com](mailto:sales@ainfoinc.com)

## Test Results

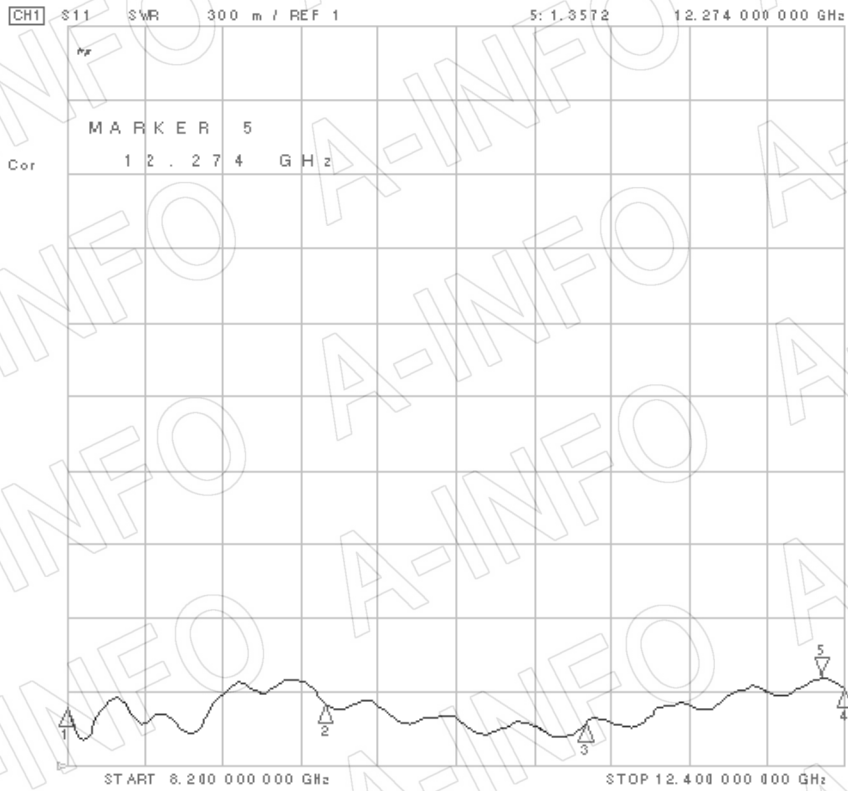
### Port H\_ Insertion Loss(Test with two OMT back to back)



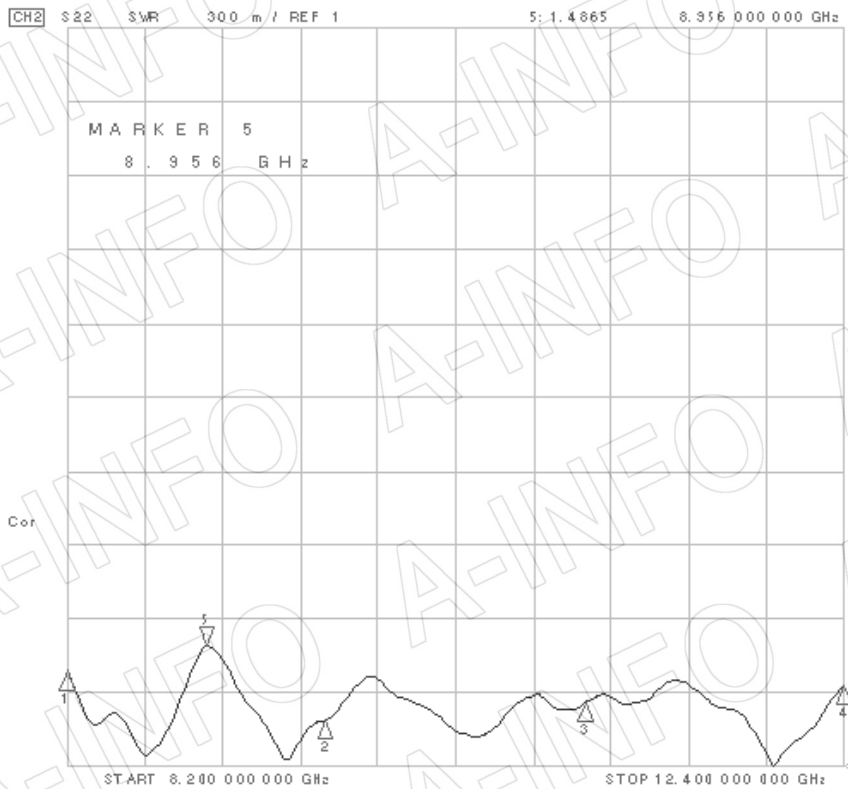
### Port V\_ Insertion Loss(Test with two OMT back to back)



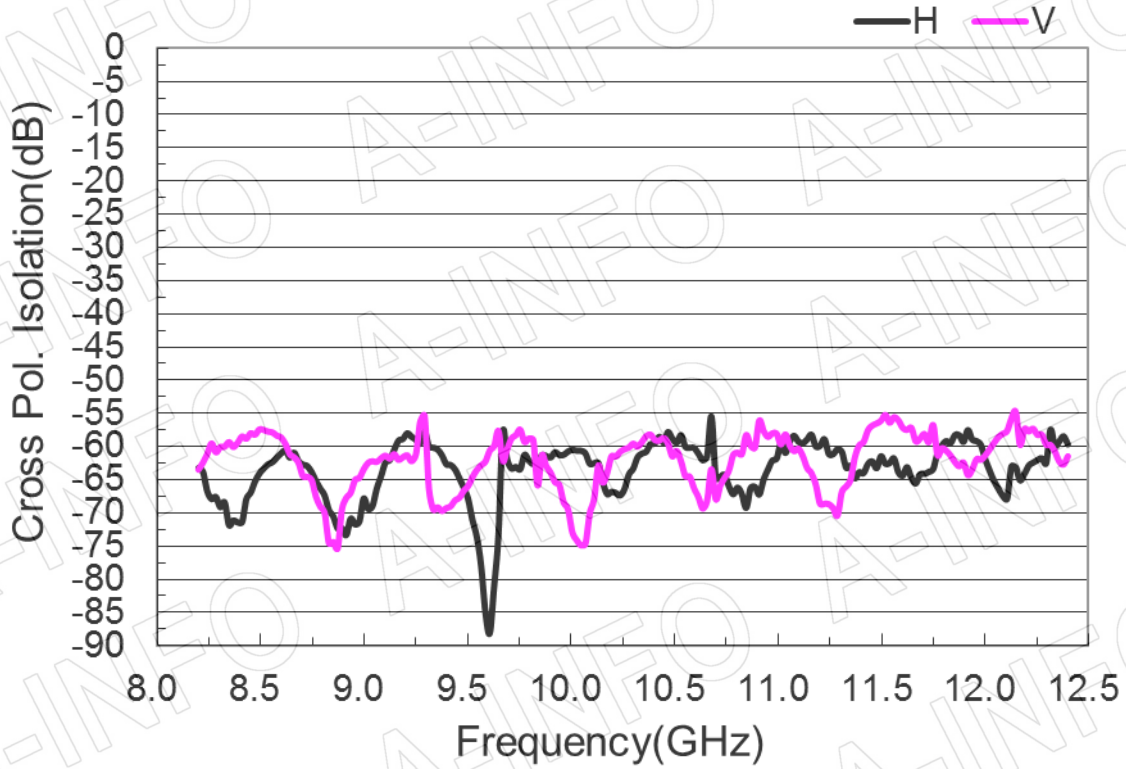
## Port H\_VSWR



## Port V\_VSWR



## Cross Polarization Isolation



## Port to Port Isolation

